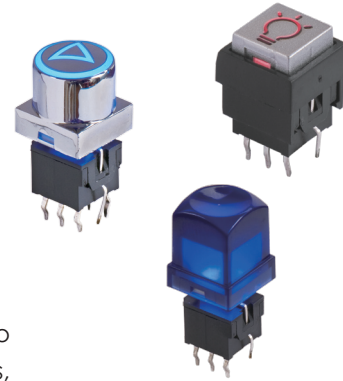


» Features

- Clip type contacts are applied to ensure high reliability.
- Terminals are all IC pitched (multiple of 2.54mm). By a particular terminal shape, the switch tightly when solder-dipped.
- Protection from Flux Entry Terminals are all completely sealed by epoxy.
- Many LED lights are available.
- Various symbols can be engraved on the cap
- Any customization for cap & symbol is welcomed.



» Applications

- Operating switches in all types of electronic equipment such as audio apparatus, office equipment, communications apparatus, TV ets, VCRs, etc.

» Specifications

Rating	0.1A 30VDC
Insulation Resistance	100MΩ Min (at 500 VDC)
Dielectric Strength	AC 500V (50/60 Hz for 1 minute)
Contact Resistance	50mΩ Max. (Initial)
Electrically Life	10,000 Cycles Min
Ambient Temperature	-10°C~ +80°C
Operating Force	150 ± 100gf (Momentary)
	250 ± 100gf (Alternate)
	200 ± 100gf (Momentary With Click)

» LED Specifications

Color	VR	IF	Recommended Operating Current	VF	
				Nom	Max
Red	DC 5V	20mA	20mA	1.7V	2.4V
Green	DC 5V	20mA	20mA	1.9V	2.4V
Yellow	DC 5V	20mA	20mA	1.9V	2.4V
Blue	DC 5V	20mA	20mA	3.0V	3.6V
White	DC 5V	20mA	20mA	3.0V	3.6V

For the specification about the other LEDs, please contact with sales department

» Product selection

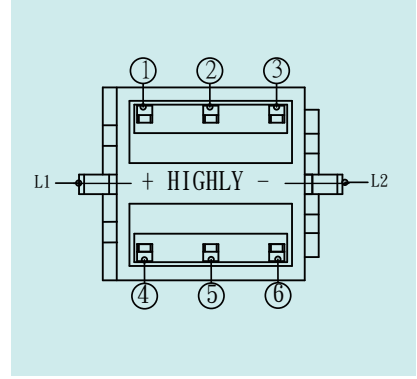
PB 613

BUTTON TYPE		FUNCTION		LED		LED BRIGHTNESS		LASER ETCHING	
1F		A	Alternate	-	Non-LED	-	Standard	01	
2F		B	Momentary	L	LED	C	High Brightness	02	
3F		C	Momentary with click					03	OK
4F				FRAME				04	
5F				-	Without	LED COLOR		05	
6F				F	With frame	1		06	
01						2		07	
02						3		08	
03						4		09	
04						5		10	
05						6			
07						8			
						9			
						10			
						011			
						12			
						13			
						14			
						23			
						48			
						52			
						58			
						-	Non-LED		
								CAP COLOR	
								1	Misty Silver
								2	Bright Silver
								3	Gold
								4	White
								5	Bight Black
								6	Red
								7	Misty Black
								8	Sky blue
								9	Gunme black
								A	Orange

Please inquire about the deals with our sales representative.

» **Circuit**

Type	Switch Action		
PB613A	Normal ON	Push to lock ON	
Connecting Terminal	1 - 2 4 - 5	2 - 3 5 - 6	
PB613B	Normal ON	Push (ON)	
Connecting Terminal	1 - 2 4 - 5	2 - 3 5 - 6	
LED Circuit			



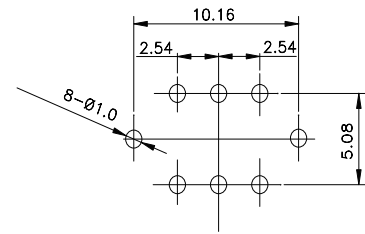
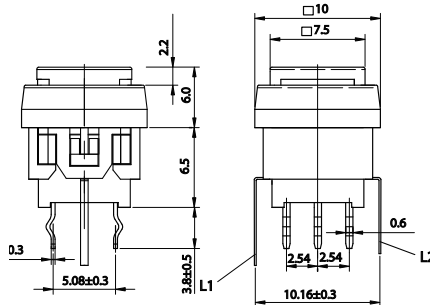
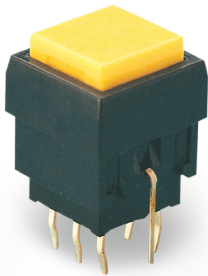
» **Operating characteristics**

Unit: mm

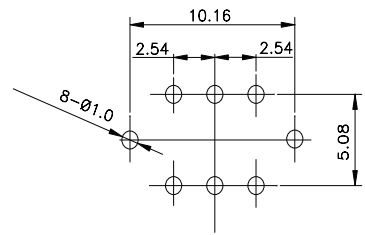
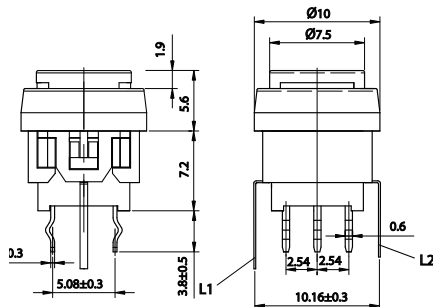
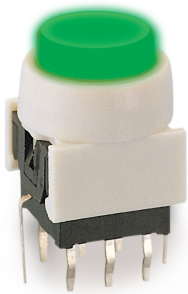
Dimensions

P.C.B Layout

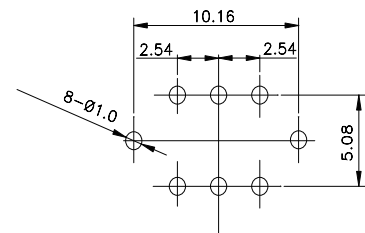
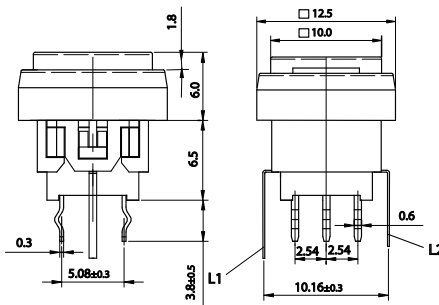
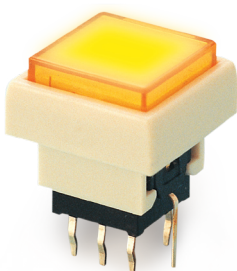
PB6131F □ **L**



PB6132F □ **L**



PB6133F □ **L**



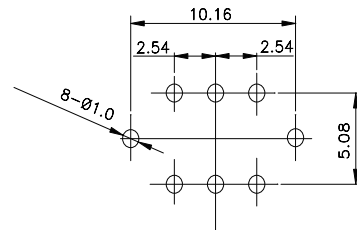
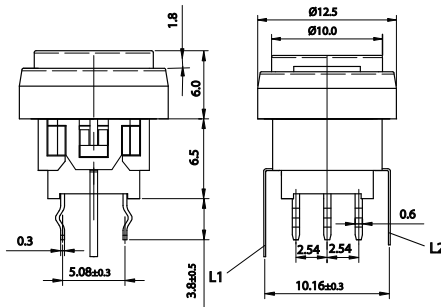
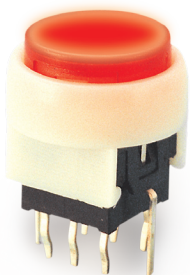
» Operating characteristics

Unit: mm

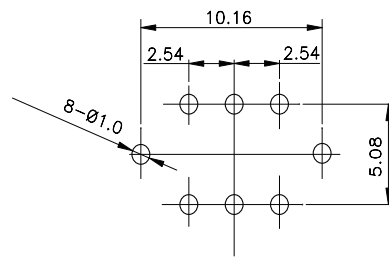
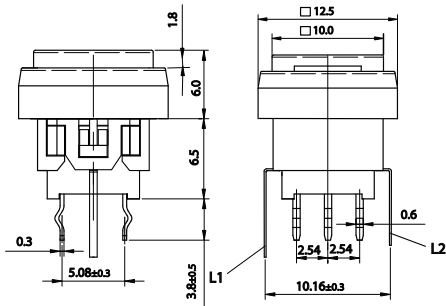
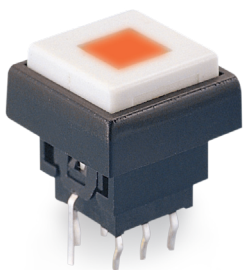
Dimensions

P.C.B Layout

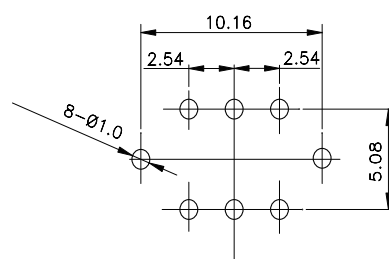
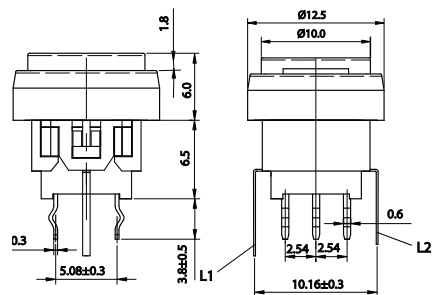
PB6134F □ L



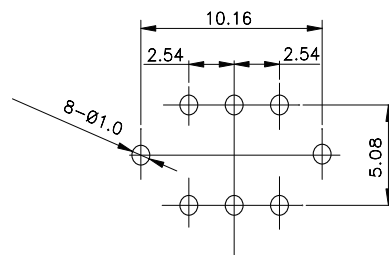
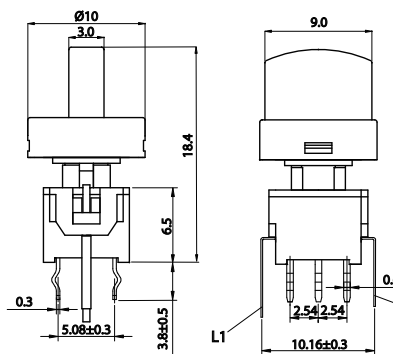
PB6135F □ L



PB6136F □ L



PB61301 □ L



PB 613 SERIES PUSH SWITCHES

ILLUMINATED

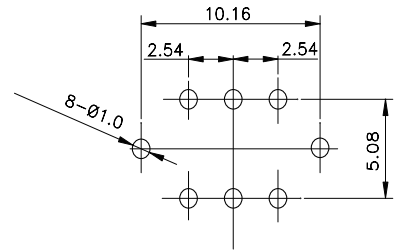
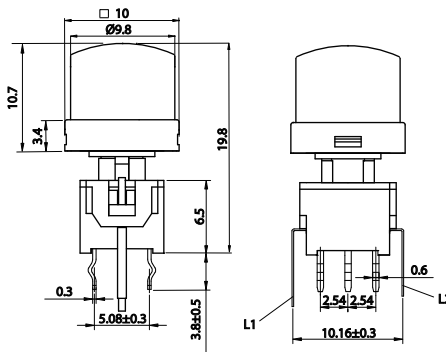
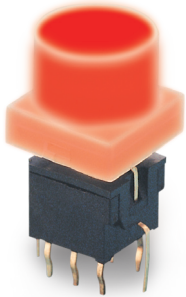
» Operating characteristics

Unit: mm

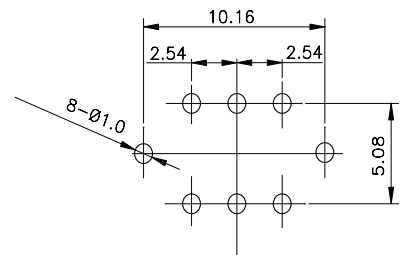
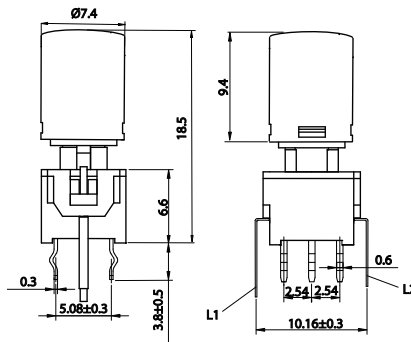
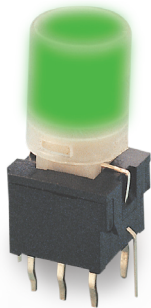
Dimensions

P.C.B Layout

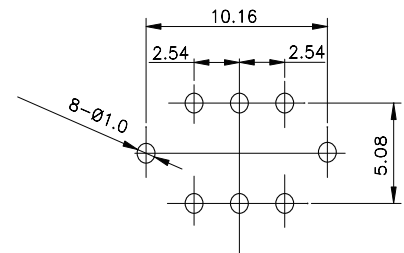
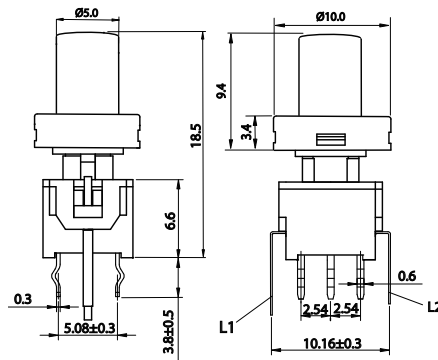
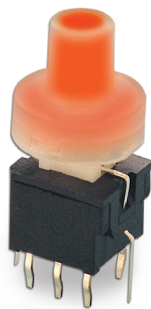
PB61302 □ L



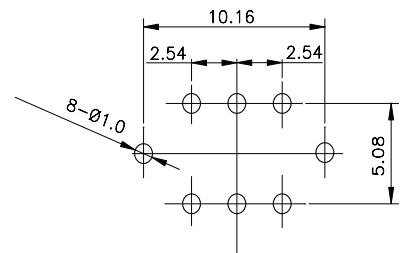
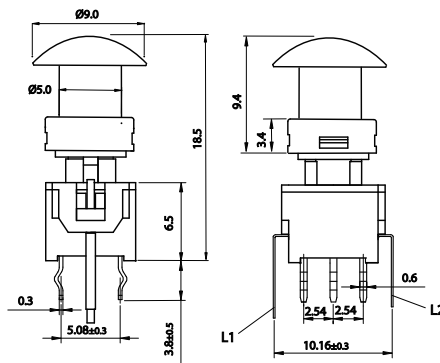
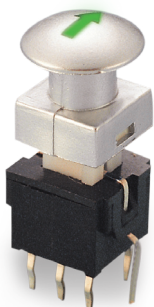
PB61303 □ L



PB61304 □ L



PB61305 □ L



» Operating characteristics

Unit: mm

Dimensions

P.C.B Layout

PB61307 □ L

