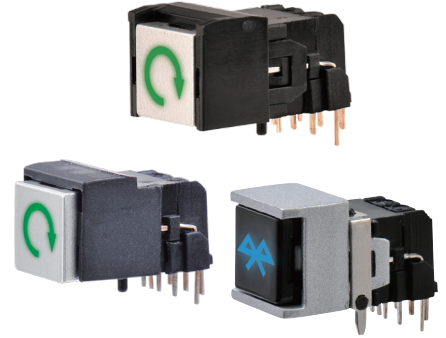


» **Features**

- Contact Reliability Clip type contacts are applied to ensure high reliability.
- By a particular terminal shape, the switch tightly when solder-dipped.
- Protection from Flux Entry Terminals are all completely sealed by epoxy.
- Many LED lights are available.
- Right Angle type and the PBC board become 90 degrees when soldered.



» **Applications**

- Operating switches in all types of electronic equipment such as audio apparatus, office equipment, communications apparatus, TV sets, VCRs, etc.

» **Specifications**

Rating	0.1A 30VDC
Insulation Resistance	100MΩ Min (at 500 VDC)
Dielectric Strength	AC 500V (50/60 Hz for 1 minute)
Contact Resistance	50mΩ Max. (Initial)
Electrically Life	10,000 Cycles Min
Ambient Temperature	-10°C~ +80°C
Operating Force	150 ± 100gf (Momentary)
	250 ± 100gf (Alternate)
	200 ± 100gf (Momentary With Click)

» **LED Specifications**

Color	VR	IF	Recommended Operating Current	VF	
				Nom	Max
Red	DC 5V	20mA	20mA	1.7V	2.4V
Green	DC 5V	20mA	20mA	1.9V	2.4V
Yellow	DC 5V	20mA	20mA	1.9V	2.4V
Blue	DC 5V	20mA	20mA	3.0V	3.6V
White	DC 5V	20mA	20mA	3.0V	3.6V

For the specification about the other LEDs, please contact with sales department

» **Product selection**

PB 613

RF

-

-

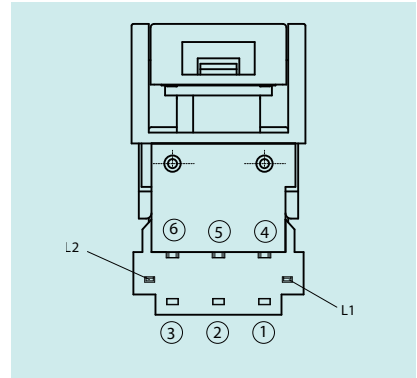
-

-

BUTTON TYPE	FUNCTION	LED	LED BRIGHTNESS	SUPPORT PIN	LASER ETCHING																																																																
<table border="1" style="width: 100%; border-collapse: collapse;"> <tr><td>1</td><td></td></tr> <tr><td>2</td><td></td></tr> <tr><td>3</td><td></td></tr> <tr><td>4</td><td></td></tr> <tr><td>5</td><td></td></tr> <tr><td>6</td><td></td></tr> <tr><td>01</td><td></td></tr> <tr><td>02</td><td></td></tr> <tr><td>03</td><td></td></tr> <tr><td>04</td><td></td></tr> <tr><td>05</td><td></td></tr> <tr><td>07</td><td></td></tr> </table>	1		2		3		4		5		6		01		02		03		04		05		07		<table border="1" style="width: 100%; border-collapse: collapse;"> <tr><td>A</td><td>Alternate</td></tr> <tr><td>B</td><td>Momentary</td></tr> <tr><td>C</td><td>Momentary with click</td></tr> </table>	A	Alternate	B	Momentary	C	Momentary with click	<table border="1" style="width: 100%; border-collapse: collapse;"> <tr><td>-</td><td>Non-LED</td></tr> <tr><td>L</td><td>LED</td></tr> </table>	-	Non-LED	L	LED	<table border="1" style="width: 100%; border-collapse: collapse;"> <tr><td>_</td><td>Standard</td></tr> <tr><td>C</td><td>High Brightness</td></tr> </table>	_	Standard	C	High Brightness	<table border="1" style="width: 100%; border-collapse: collapse;"> <tr><td>-</td><td>Without</td></tr> <tr><td>WS</td><td></td></tr> <tr><td>WK</td><td></td></tr> </table>	-	Without	WS		WK		<table border="1" style="width: 100%; border-collapse: collapse;"> <tr><td>01</td><td></td></tr> <tr><td>02</td><td></td></tr> <tr><td>03</td><td>OK</td></tr> <tr><td>04</td><td></td></tr> <tr><td>05</td><td></td></tr> <tr><td>06</td><td></td></tr> <tr><td>07</td><td></td></tr> <tr><td>08</td><td></td></tr> <tr><td>09</td><td></td></tr> <tr><td>10</td><td></td></tr> </table>	01		02		03	OK	04		05		06		07		08		09		10	
1																																																																					
2																																																																					
3																																																																					
4																																																																					
5																																																																					
6																																																																					
01																																																																					
02																																																																					
03																																																																					
04																																																																					
05																																																																					
07																																																																					
A	Alternate																																																																				
B	Momentary																																																																				
C	Momentary with click																																																																				
-	Non-LED																																																																				
L	LED																																																																				
_	Standard																																																																				
C	High Brightness																																																																				
-	Without																																																																				
WS																																																																					
WK																																																																					
01																																																																					
02																																																																					
03	OK																																																																				
04																																																																					
05																																																																					
06																																																																					
07																																																																					
08																																																																					
09																																																																					
10																																																																					
	<table border="1" style="width: 100%; border-collapse: collapse;"> <tr><th>FRAME</th></tr> <tr><td>I </td></tr> <tr><td>I2 </td></tr> <tr><td>G </td></tr> <tr><td>J </td></tr> </table>	FRAME	I	I2	G	J	<table border="1" style="width: 100%; border-collapse: collapse;"> <tr><th>LED COLOR</th></tr> <tr><td>1 </td></tr> <tr><td>2 </td></tr> <tr><td>3 </td></tr> <tr><td>4 </td></tr> <tr><td>5 </td></tr> <tr><td>6 </td></tr> <tr><td>8 </td></tr> <tr><td>9 </td></tr> <tr><td>10 </td></tr> <tr><td>011 </td></tr> <tr><td>12 </td></tr> <tr><td>13 </td></tr> <tr><td>14 </td></tr> <tr><td>23 </td></tr> <tr><td>48 </td></tr> <tr><td>52 </td></tr> <tr><td>58 </td></tr> <tr><td>-</td><td>Non-LED</td></tr> </table>	LED COLOR	1	2	3	4	5	6	8	9	10	011	12	13	14	23	48	52	58	-	Non-LED	<table border="1" style="width: 100%; border-collapse: collapse;"> <tr><th>CAP COLOR</th></tr> <tr><td>1</td><td>Misty Silver</td></tr> <tr><td>2</td><td>Bright Silver</td></tr> <tr><td>3</td><td>Gold</td></tr> <tr><td>4</td><td>White</td></tr> <tr><td>5</td><td>Bight Black</td></tr> <tr><td>6</td><td>Red</td></tr> <tr><td>7</td><td>Misty Black</td></tr> <tr><td>8</td><td>Sky blue</td></tr> <tr><td>9</td><td>Gunme black</td></tr> <tr><td>A</td><td>Orange</td></tr> </table>	CAP COLOR	1	Misty Silver	2	Bright Silver	3	Gold	4	White	5	Bight Black	6	Red	7	Misty Black	8	Sky blue	9	Gunme black	A	Orange	<p>Please inquire about the deals with our sales representative.</p>																			
FRAME																																																																					
I																																																																					
I2																																																																					
G																																																																					
J																																																																					
LED COLOR																																																																					
1																																																																					
2																																																																					
3																																																																					
4																																																																					
5																																																																					
6																																																																					
8																																																																					
9																																																																					
10																																																																					
011																																																																					
12																																																																					
13																																																																					
14																																																																					
23																																																																					
48																																																																					
52																																																																					
58																																																																					
-	Non-LED																																																																				
CAP COLOR																																																																					
1	Misty Silver																																																																				
2	Bright Silver																																																																				
3	Gold																																																																				
4	White																																																																				
5	Bight Black																																																																				
6	Red																																																																				
7	Misty Black																																																																				
8	Sky blue																																																																				
9	Gunme black																																																																				
A	Orange																																																																				

» Circuit

Type	Switch Action		
PB613 ARF	Normal ON	Push to lock ON	
Connecting Terminal	1 - 2 4 - 5	2 - 3 5 - 6	
PB613 BRF	Normal ON	Push (ON)	
Connecting Terminal	1 - 2 4 - 5	2 - 3 5 - 6	
LED Circuit			



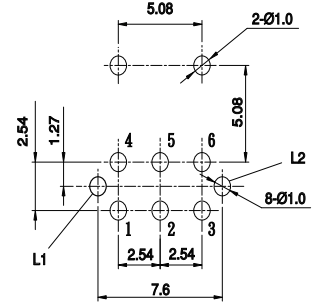
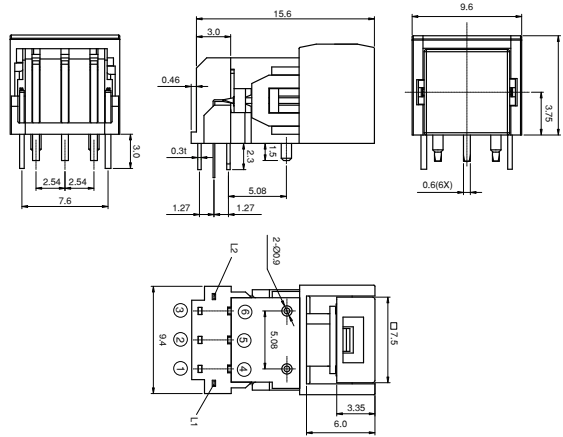
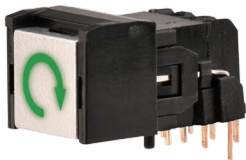
» Operating characteristics

Unit: mm

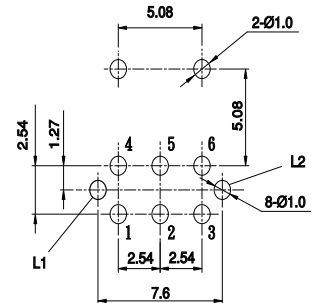
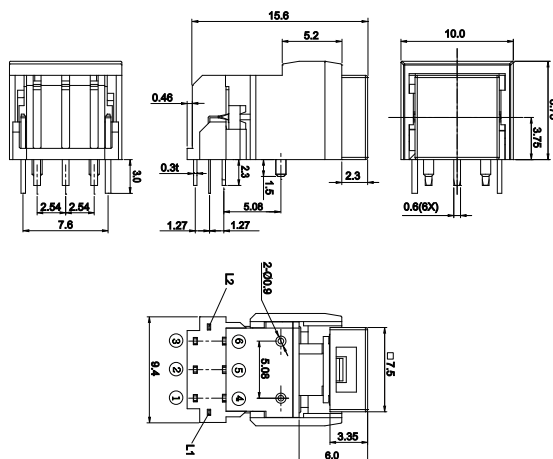
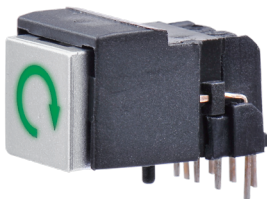
Dimensions

P.C.B Layout

PB6131 RFIL-3-177



PB6131 RFI2L-3-177



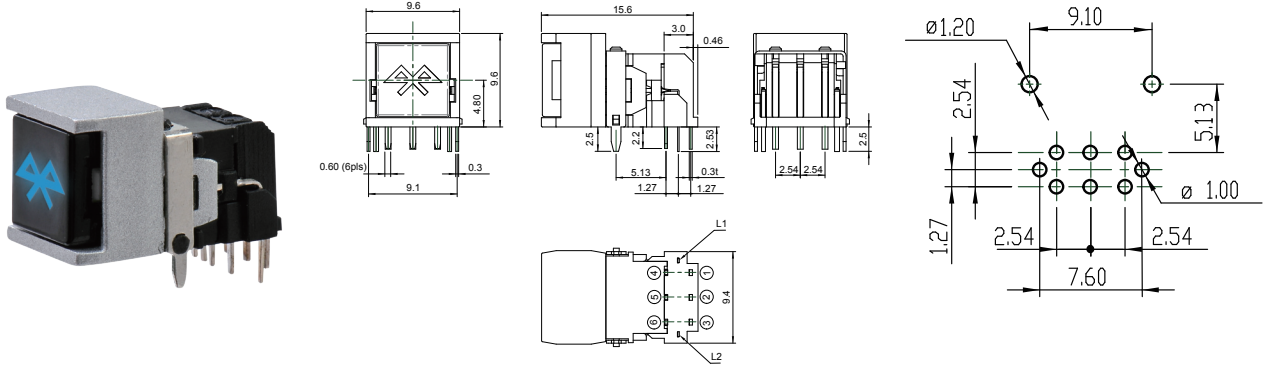
» Operating characteristics

Unit: mm

Dimensions

P.C.B Layout

PB6131 RFJL-4-WS-5195



PB6131 RFGL-4-WS-5238

