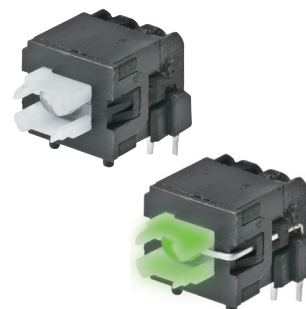


## » Features

- Clip type contacts are applied to ensure high reliability.
- Terminals are all IC pitched (multiple of 2.54mm). By a particular terminal shape, the switch tightly when solder-dipped.
- Protection from Flux Entry Terminals are all completely sealed by epoxy.
- Many LED lights are available.
- Right Angle type and the PBC board become 90 degrees when soldered.



## » Applications

- Operating switches in all types of electronic equipment such as audioapparatus, office equipment, communications apparatus, TV sets, VCRs, etc.

## » Specifications

Rating	0.1A 30VDC
Insulation Resistance	100MΩ Min (at 500 VDC)
Dielectric Strength	AC 500V (50/60 Hz for 1 minute)
Contact Resistance	50mΩ Max. (Initial)
Electrically Life	10,000 Cycles Min
Ambient Temperature	-10°C~ +80°C
Operating Force	150 ± 100gf (Momentary)
	250 ± 100gf (Alternate)
	200 ± 100gf (Momentary With Click)

## » LED Specifications

Color	VR	IF	Recommended Operating Current	VF	
				Nom	Max
Red	DC 5V	20mA	20mA	1.7V	2.4V
Green	DC 5V	20mA	20mA	1.9V	2.4V
Yellow	DC 5V	20mA	20mA	1.9V	2.4V
Blue	DC 5V	20mA	20mA	3.0V	3.6V
White	DC 5V	20mA	20mA	3.0V	3.6V

For the specification about the other LEDs, please contact with sales department

## » Product selection

### TP 613



-



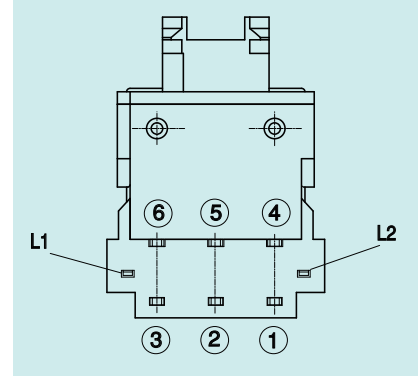
FUNCTION	
ARF	Non- LED Alternate
BRF	Non - LED Momentary
CRF	Non - LED Momentary with click
ARFL	LED Alternate
BRFL	LED Momentary
CRFL	LED Momentary with click

LED COLOR		
1		Red
2		Yellow
3		Green
4		Blue
5		White
6		Pure Green
8		Amber
9		Blue Green
10		Pink
011		Purple
12		Red/Yellow
13		Red/Green
14		Red/Blue
23		Yellow/Green
48		Blue/Amber
52		White/Yellow
58		White/Amber
-		Non-LED

LED BRIGHTNESS	
_	Standard
C	High Brightness

» Circuit

Type	Switch Action		
TP613A	Normal ON	Push to lock ON	
Connecting Terminal	1 - 2 4 - 5	2 - 3 5 - 6	
TP613B	Normal ON	Push (ON)	
Connecting Terminal	1 - 2 4 - 5	2 - 3 5 - 6	
LED Circuit			



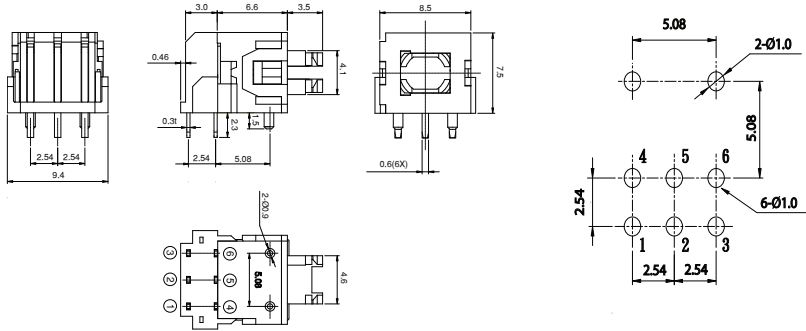
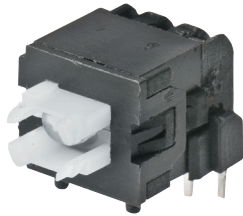
» Operating characteristics

Unit: mm

Dimensions

P.C.B Layout

TP613 □ RF



TP613 □ RFL

